

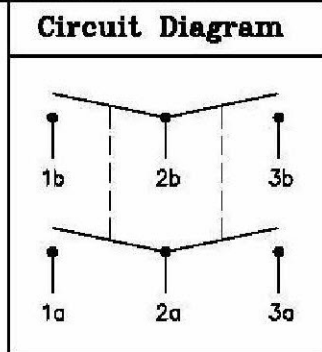
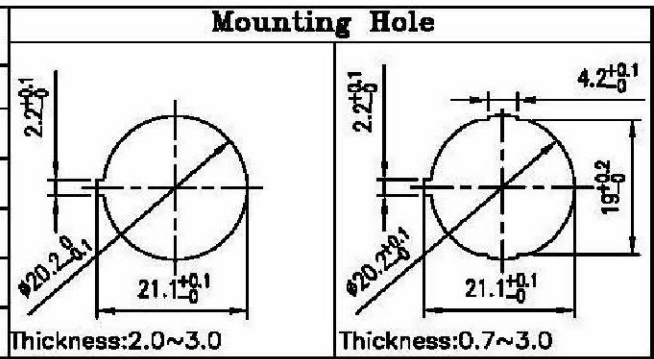


Rating	18A 125VAC	
	10A 250VAC	
	10(4)A 250VAC	
Contact R	50m ohm Max.	
Insulation R	DC 500V 100M ohm Min.	
Dielectric Strength	AC 1000V 1 minute	
Operation Tempure	-25°C~85°C	
Circuit	6P DPDT ON-OFF-ON	



Material:
 Frame: Black, Nylon-66
 Actuator: Black, Nylon-66
 Printed: Hot stamp white

