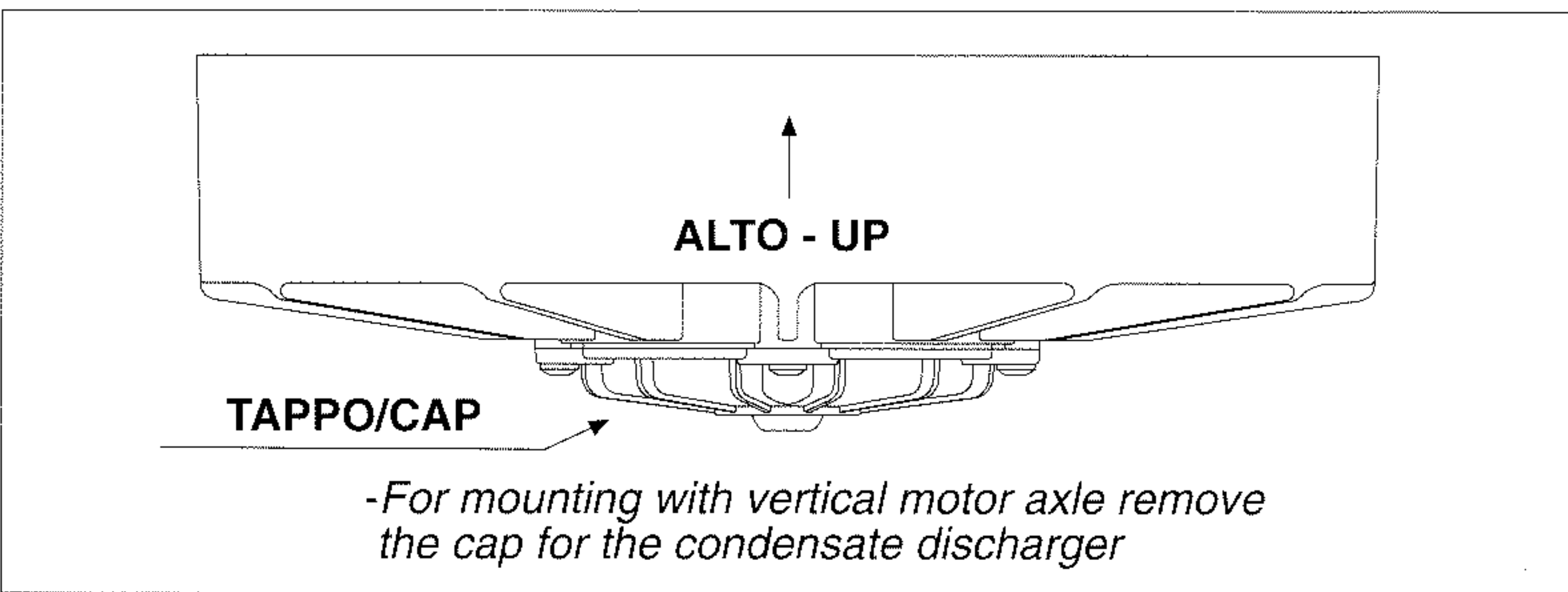
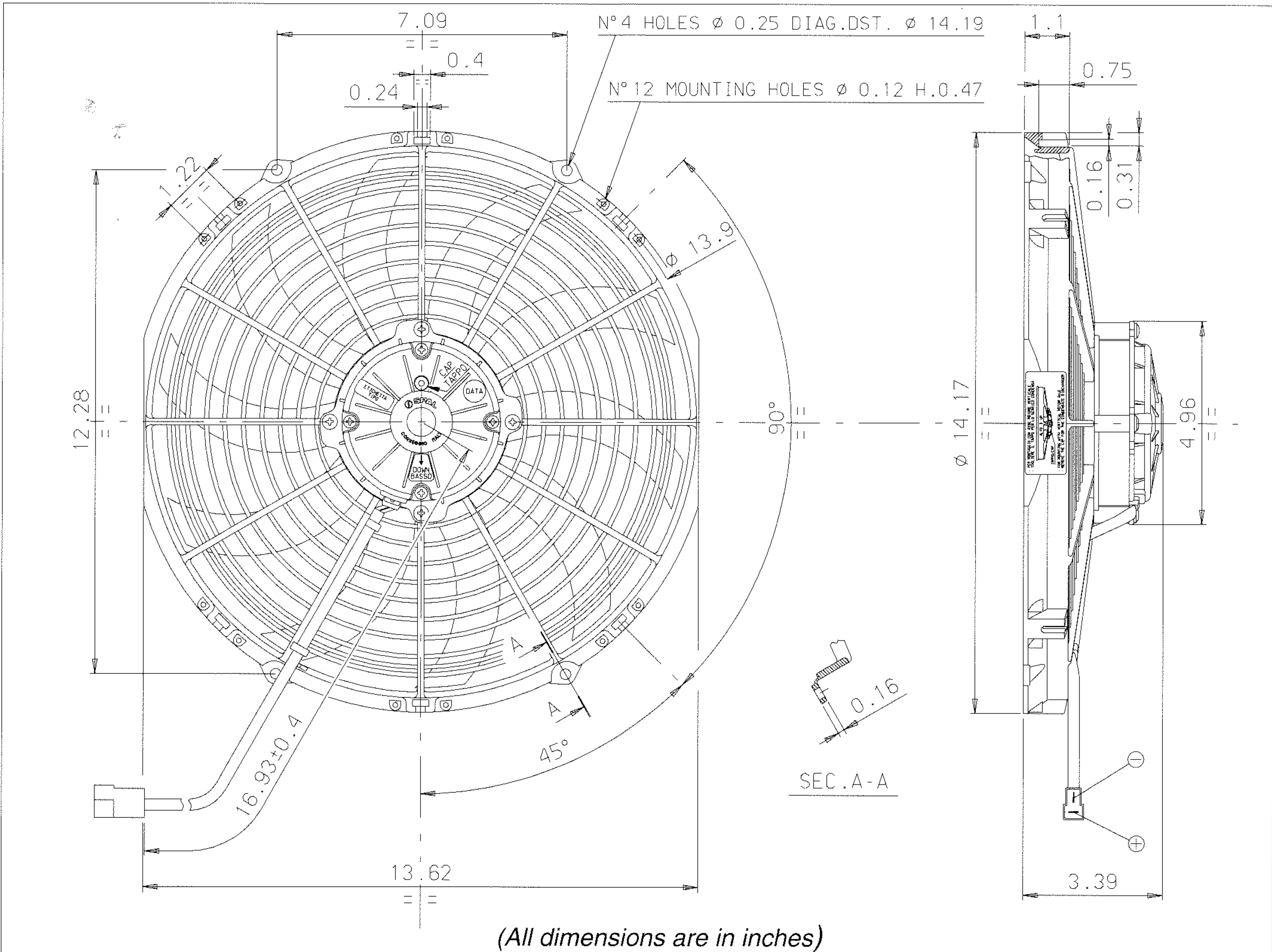


Art. <b>30102044</b> <b>30102045</b>	Type <b>VA13 - AP6 - 63A</b> Pull <b>VA13 - AP6 - 63S</b> Push	Fan diameter <b>13"</b>
--	--	----------------------------



- \* Weight 5.17 lbs. approx.
- \* Long life
- \* Fan with back skewed blades
- \* Available accessories: all the mounting kits.

Test voltage 13 V DC

Static pressure	Airflow	Current input
in. H <sub>2</sub> O	cfm	A
0	1710	18.5
0.1	1620	18.7
0.2	1500	19.2
0.3	1390	19.2
0.4	1270	19.4
0.5	1100	19.3
0.6	920	18.6
0.7	650	18
0.8	320	18.6
1.0	-	19.5

Static pressure: 1 mm H<sub>2</sub>O = 0,04 in. H<sub>2</sub>O  
Airflow: 1 m<sup>3</sup>/h = 0,59 cfm