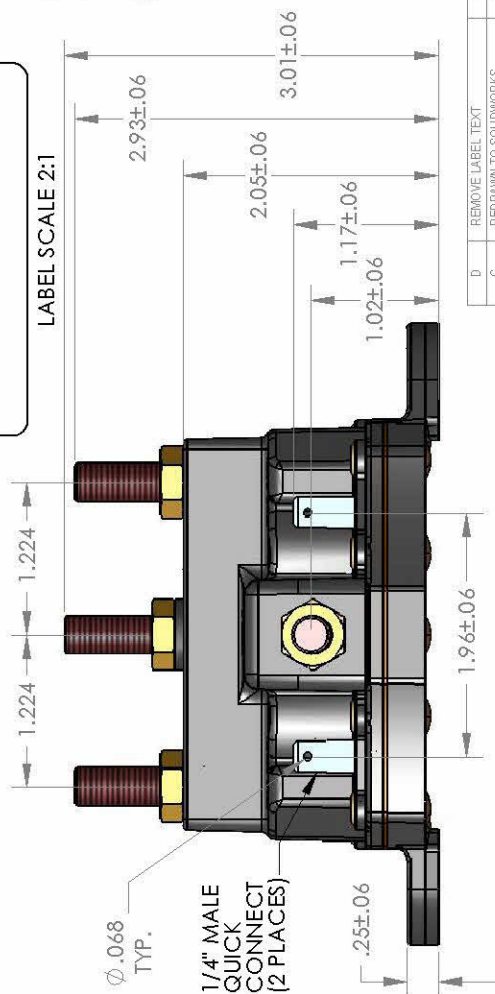
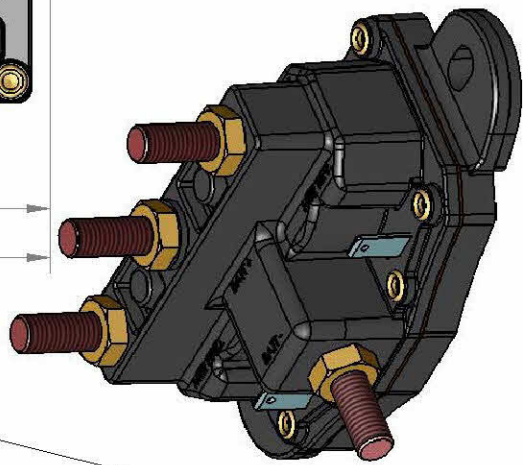
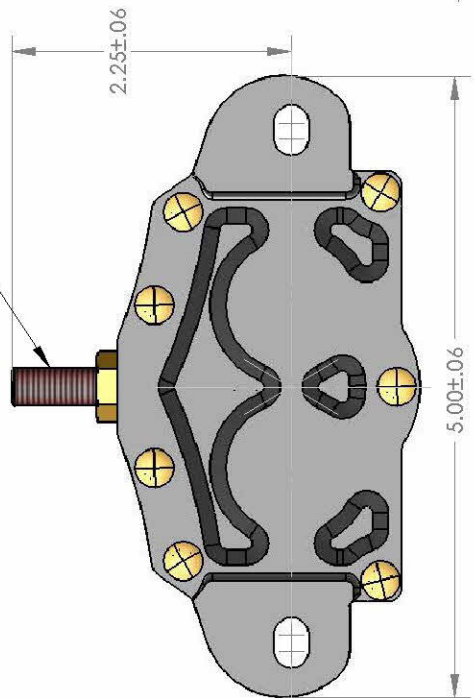
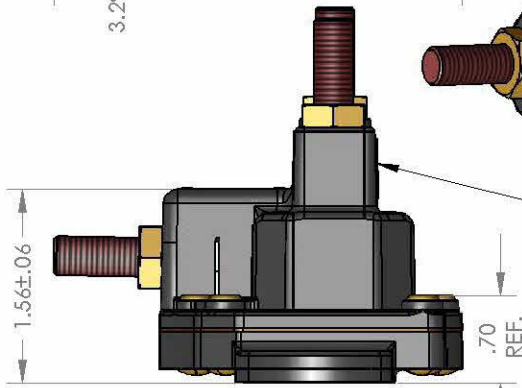
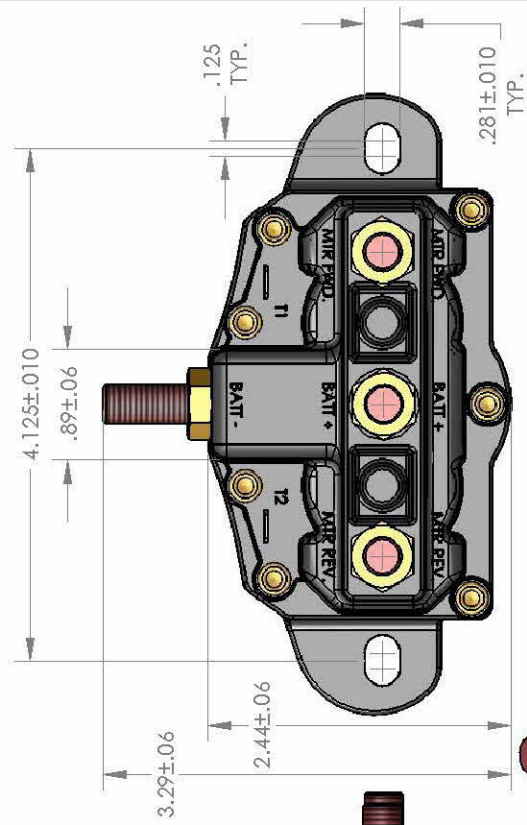


5/16-24 UNF-2A THD. (4 PLACES)



LABEL SCALE 2:1

(D)

MATERIAL

FINISH

UNLESS OTHERWISE SPECIFIED
 DIMS ±.005
 ANG. ±.1°
 FILLETS R0.030-0.015
 CONTROL PLAN REQUIRED

| REV | DESCRIPTION | BY | ECN | DATE | APP |
|-----|-----------------------|-----|------|----------|-----|
| D | REMOVE LABEL TEXT | JMG | 4529 | 12/2/06 | DAH |
| C | REDRAWN TO SOLIDWORKS | SMS | 4496 | 10/19/04 | TIM |

214 SERIES RP CONTACTOR
 DIMENSIONAL ASSEMBLY

| | | | | | |
|-------|-----|-------|----------|----------|--------|
| DRAWN | SMS | SCALE | 1:1 | DWG. NO. | D03508 |
| APPR. | TM | DATE | 10/19/04 | | |